



Falk™ Lifelign®

Precision. Power. Performance.

You want a trusted name when it comes to providing engineered power transmission products that improve productivity and efficiency. Rexnord provides superior products for your industrial applications world wide. We work closely with you to reduce maintenance costs, eliminate redundant inventories and prevent equipment downtime.

Applications include:

- ▶ pumps
- ▶ paper machines
- ▶ general purpose machinery

Rexnord® Falk™ Lifelign® Gear Couplings G20 & G52

Large bore capacity gear coupling with superior torque ratings. Available in both single and double engagement designs. Falk is a Rexnord brand.



ATEX Certified II 2GD c T5

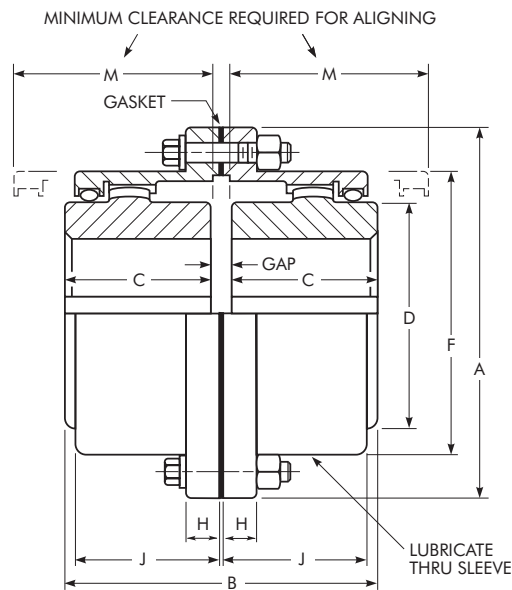
Falk™ Lifelign®

Features

Large bore capacity
High torque ratings
Four point seal
Bolt on seal end plates
Alloy steel option

Benefits

- ▶ Smaller coupling size
- ▶ Smaller coupling size
- ▶ Non leaking design
- ▶ Easy seal replacement
- ▶ Increased bore capacity



Torque Demands Driven Machine	Typical applications for electric motor or turbine driven equipment	Typical Service Factor
	Constant Torque such as Centrifugal Pumps, Blowers, and Compressors.	1.0
	Continuous duty with some torque variations including Plastic Extruders, Forced Draft Fans.	1.5
	Light shock loads from Metal Extruders, Cooling Towers, Cane Knife, Log Haul.	2.0
	Moderate shock loading as expected from a Car Dumper, Stone Crusher, Vibrating Screen.	2.5
	Heavy shock load with some negative torques from Roughing Mills, Reciprocating Pumps, Compressors, Reversing Runout Tables,	3.0
	Applications like Reciprocating Compressors with frequent torque reversals, which do not necessarily cause reverse rotations.	Consult REXNORD Engineering

SIZE	Torque Rating (Nm)	Allow Speed (rpm)	Max Bore (mm)	Min Bore (mm)	Coupling Weight with No Bore-kg		Lube Weight (kg)	A (mm)	B (mm)	C (mm)	D (mm)	F (mm)	H (mm)	J (mm)	M (mm)	Gap (mm)
					G10	G20										
1010G	1 140	8 000	50	13	4.08	4.54	0.0408	115.9	88.9	42.9	68.6	83.8	14.0	38.9	51	3
1015G	2 350	6 500	65	20	7.71	9.07	0.0726	152.4	101.6	49.3	86.4	105.2	19.0	47.8	61	3
1020G	4 270	5 600	78	26	13.6	15.9	113	177.8	127.0	62.0	105.2	126.5	19.0	59.4	77	3
1025G	7 470	5 000	98	32	24.9	29.5	0.2127	212.7	158.9	77.0	130.6	154.9	21.8	71.6	92	5
1030G	12 100	4 400	111	39	38.6	43.1	363	239.7	187.4	91.2	152.4	180.3	21.8	83.8	107	5
1035G	18 500	3 900	134	51	61.2	68.0	544	279.4	218.9	106.4	177.8	211.3	28.4	97.5	130	6
1040G	30 600	3 600	160	64	88.5	97.5	907	317.5	247.3	120.6	209.6	245.4	28.4	111.3	145	6
1045G	42 000	3 200	183	77	127	136	1.04	346.1	277.7	134.9	235.0	274.1	28.4	122.9	166	8
1050G	56 600	2 900	200	89	177	191	1.77	388.9	314.3	153.2	254.0	305.8	38.1	140.7	183	8
1055G	74 000	2 650	220	102	238	249	2.22	425.4	344.3	168.1	279.4	334.3	38.1	158.0	204	8
1060G	90 400	2 450	244	115	...	306	3.18	457.2	384.4	188.2	304.8	366.0	25.4	169.2	229	8
1070G	135 000	2 150	289	127	...	485	4.35	527.0	451.5	220.7	355.6	424.9	28.4	195.6	267	10